

# BF73 CURVED SASH TECH SHEET

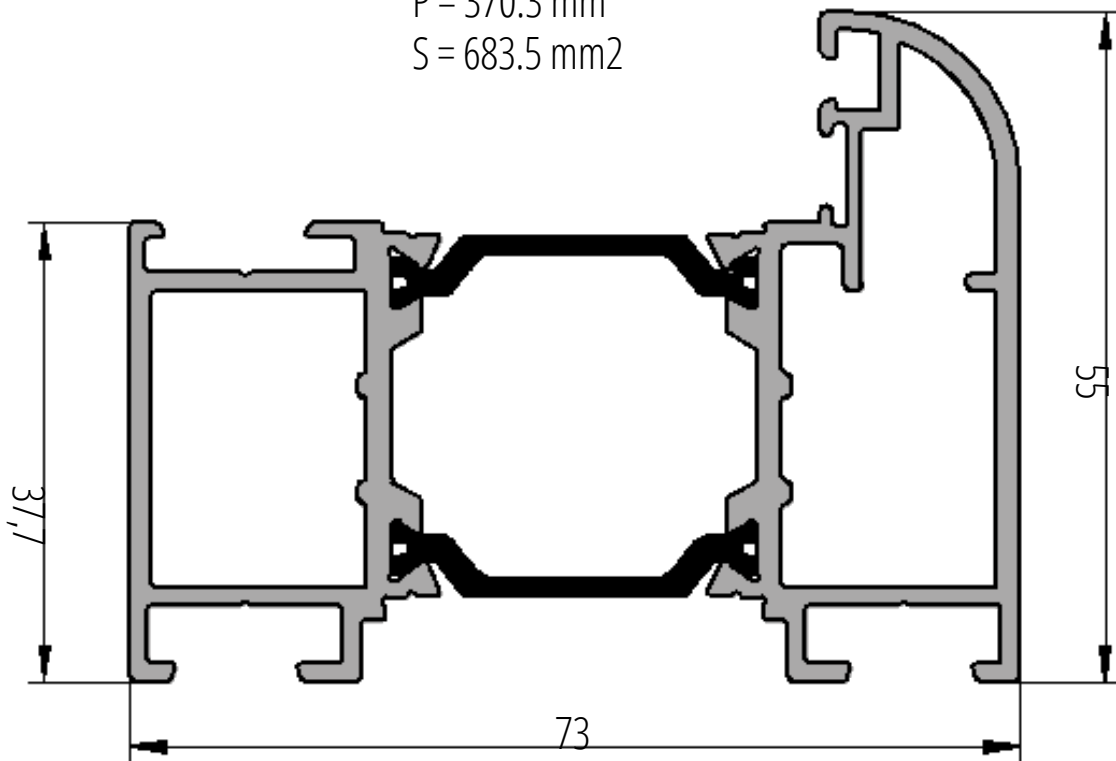
Rounded sash (55 mm)

AYPC.BF73.0211

$m = 1.68 \text{ kg/rm}$

$P = 370.3 \text{ mm}$

$S = 683.5 \text{ mm}^2$



t: 01924 350 110

[alutechsystems.co.uk](http://alutechsystems.co.uk)

[enquiries@alutechsystems.co.uk](mailto:enquiries@alutechsystems.co.uk)

**ALUTECH**  
SYSTEMS



GREAT ARCHITECTURE  
STARTS WITH ALUTECH